



Brief introduction :

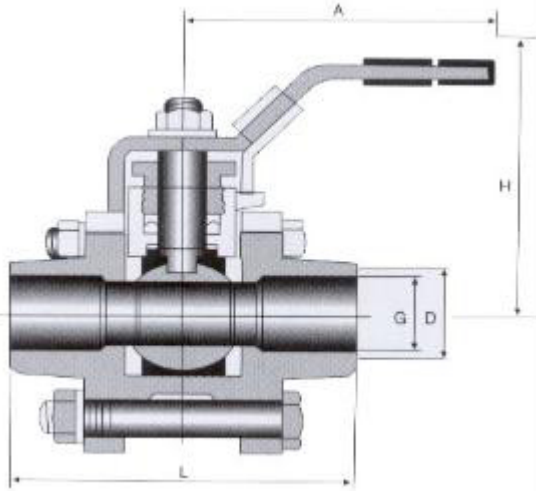
The ball valve is designed and manufactured according well to API 6D. Floating ball when small caliber, and fixed ball when large caliber. It has fire protection structure and antistatic device. Widely used for petroleum, chemistry, water treatment industries.

Main part & material

Part name	Material
body	WCB,ZG1Cr18Ni9Ti,CF8
ball	1Cr18Ni9Ti 304,316
stem	1Cr18Ni9Ti 304,316
seal ring	Polytetrafluoroethylene (PTFE)
packing	Polytetrafluoroethylene (PTFE)

PRODUCT – BALL VALVE

3PC WELDED BALL VALVE



DN	G	L	H	A
6	1/4"	65	52	105
10	3/8"	65	52	105
15	1/2"	75	65	130
20	3/4"	85	70	130
25	1"	95	80	150
32	1-1/4"	110	82	180
40	1-1/2"	125	90	200
50	2"	150	98	200
65	2-1/2"	175	140	240
80	3"	210	135	265
100	4"	260	155	300

Specification

Nominal pressure(Mpa)	PN	2.5,4.0,6.4
Strength testing pressure(Mpa)	PT	3.8,6.0,9.6
Low pressure seal test(Mpa)		0.6
High pressure seal test(Mpa)		3.0,4.8,7.6
Applicable medium	water, oil, gas, nitric acid, acetic acid	
Applicable temperature	-40 ~ 180 °C	

Feature:

-Anti-blowout Structure of Valve Stem

When medium pass through the valve, the pressure in valve body may possibly push the stem out, or when the valve is in repair, if there is pressure in the middle cavity, the stem or medium seems to easily fly out upon disassembling the valve,



Office Address
SAIF ZONE | PO Box 8047
Sharjah, UAE.
Skype: Unitech Trading (unitechtrading)
Tel / Fax 00971-6-544-8882
Email <mailto:info@unitechtrading.com>

PRODUCT – BALL VALVE

3PC WELDED BALL VALVE

which can cause injures to human beings, To prevent the possibilities, a dummy club is packing and thrust bearing are burnt or packing is damaged due to other causes, the pressure of medium in valve body will make the dummy club of valve stem in close contact with the upper seal face of valve body. Thus

to prevent medium leaking out from the damage packing position.

-Reliable Seal Structure

The seat is made of PTFE. Because the contact area between seat and the ball will becomes more high with rising of pressure of the middle cavity, Small Resistance ball valve has the smallest resistance of all the valve, in the case of reduced bore, the resistance is little still.

-Prompt switch

The ball valve circumrotates in 90°, which works quickly to open or close.